

*"High tech in a retro style housing"*

DIMA



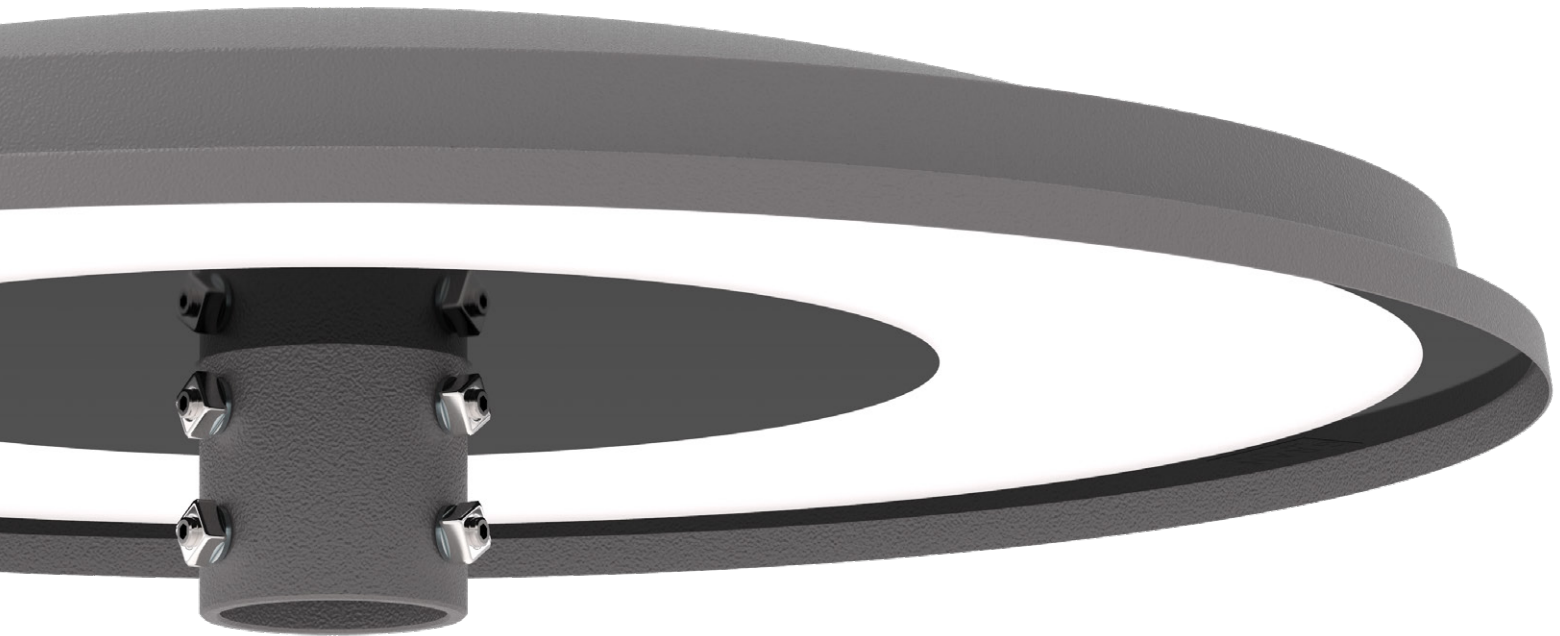
**GRAH**<sup>®</sup>  
LED LIGHTING

STREET

# DIMA

## High tech in a retro style housing

We see it fit perfectly into renovated city centers with a rich history. Simple, round and flat design. It's powerful enough to be placed in parking lots as well.



5 year warranty

Shock protection  
IK09

Modern  
retro style

# Modern meets retro light

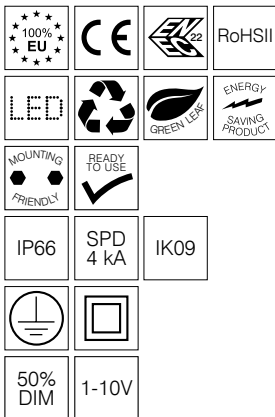
Old city centers  
Cultural sites  
Architectural lighting purposes  
Parking areas  
Parks



# DIMA

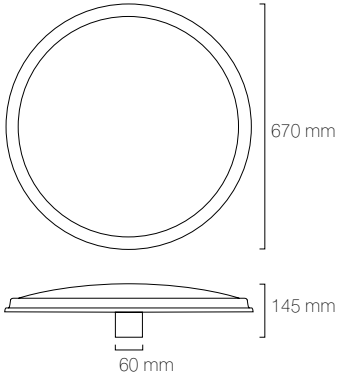


## TECHNICAL SPECIFICATIONS

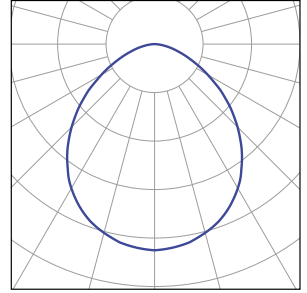


Supply voltage range:	110-250 V, 50 / 60 Hz
Surge protection:	4 kA
Consumption:	40 W
Temperature range:	-30°C / +60°C
Working temperature at Ta25:	+55°C
Optics:	Symmetric
Power reduction:	50% step DIM and 1-10 V
Light source:	Mid power LED
Colour temperature:	3000 K and 4000 K
Colour Rendering Index:	CRI>80
LED Lifetime:	Up to 50.000 hours, L70 at Ta25
System efficacy:	75 lm/W
Lumen flux (PC cover):	3.000 lm
Appliance class:	I
Housing material:	Deep drawn steel
Sealing material:	Silicone, heat resistant
Cover material:	PMMA
Housing colour:	Grey Anthracite
Protection class:	IP66
Shock protection:	IK09
Mounting option:	TOP pole mounting with Ø60 and Ø76
Suggested mounting height:	3-6 m
Dimension (L x H x W):	670 x 670 x 145 mm
Net weight:	7,25 kg

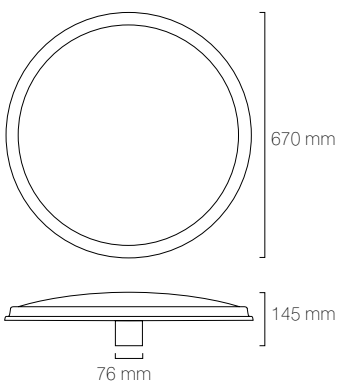
## DIMA 60



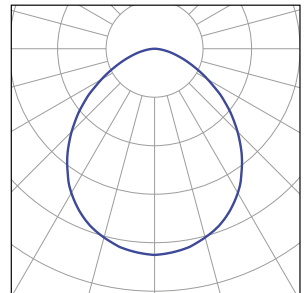
ID number	Lum. flux [lm]	Colour Temp.[K]	Power [W]	Efficacy [lm/W]
1021-x030-1103-6451	3000	3000	40	75
1021-x030-1104-6451	3000	4000	40	75



## DIMA 76



ID number	Lum. flux [lm]	Colour Temp.[K]	Power [W]	Efficacy [lm/W]
1021-x030-1103-6452	3000	3000	40	75
1021-x030-1104-6452	3000	4000	40	75



- x
- 0 ON/OFF
  - 1 1-10 V
  - 2 50% step DIM



GRAH LIGHTING d.o.o.  
Zadružna ulica 6,  
SI-2310 Slovenska Bistrica,  
Slovenia, EU

+386 82 801 424  
[info@grahlighting.com](mailto:info@grahlighting.com)  
[www.grahlighting.com](http://www.grahlighting.com)